

# 4-W WASTE CONTAINERS

# 4-WHEEL

latest technology  
modern design

www.ottoasiapac.com

## OPTIBIN

OPTIBIN with the addition IRGAGUARD™, a Ciba® product, reduces emission of bacteria by inhibition and reduction of the growth of micro-organisms in any garbage containing organic components. Can be used for all OTTO plastic products.



### Optional extras

- Identification systems
- Locking devices
- Various designs for filling openings
- Pulling devices
- Mechanical lid opening
- Noise reduction set
- Adapter for lifting and tipping devices
- Various designs for container immobilisation
- Handles
- Lifting brackets
- Special castor wheels
- Welded to be water-tight (steel)
- Folder with optional extras available

### Our expertise is your benefit:

ADVICE > Individual design

DEVELOPMENT > Engineering of optimum products

PRODUCTION > Production in our own premises

MARKETING > Direct way to the customer

SERVICE > Container administration, logistics, maintenance

FINANCING > Rent and leasing (options)

**OTTO - Quality in the least detail**



**OTTO Waste Systems (S) Pte Ltd**

12 Tuas Avenue 1 Singapore 117612  
Tel: (65) 6898 1267 Fax: (65) 6268 5193  
email: sales@ottoasiapac.com

OTTO 4WR/0303-01

OTTO ENTSORGUNGSSYSTEME

Waste containers



4-wheel  
mgb 1100  
Round lid



# 4-WHEEL WASTE CONTAINERS

latest technology  
modern design

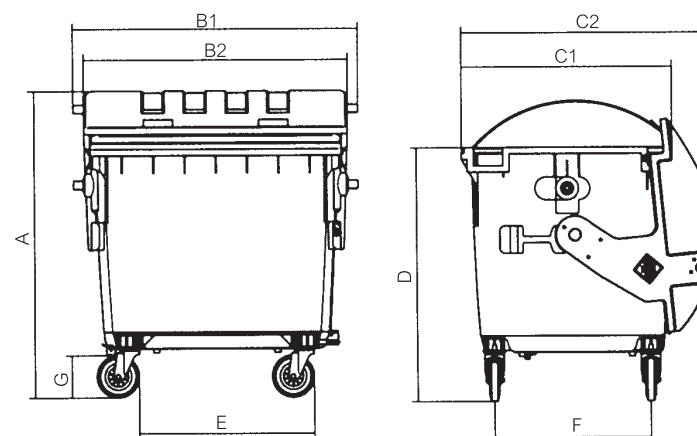
www.ottoasiapac.com



**SC1, 1KR: Steel Combi with Round Plastic Lid**



**MGB1100 Round Lid (plastic)**



MGB	KS	ST
Nom. volume (l)	1100	1100
Dead weight approx. (kg)	71	105
Useful load (kg)	440	440
A Overall height (mm)	1455	1469
B1 Width including pick-up pivot (mm)	1360	1375
B2 Width without pick-up pivot (mm)	1260	1360
C1 Overall depth (mm)	1070	1065
C2 Overall depth lid opened (mm)	1235	1205
D Upper edge comb (mm)	1205	1200
E Wheelbase depth (mm)	750	750
F Wheelbase width (mm)	840	840
G Wheel diameter (mm)	200	200

Containers according to EN 840

Subject to technical modification

## Quality in the least detail

OTTO Entsorgungssysteme feel highly responsible for their products. Material selection taking account of environmental issues, user-friendly design and rugged mechanics ensuring a long service life, these are the focal points of our product philosophy.



**Child lock design: gravity lock closes container automatically following emptying**



**Adjustable lid relief**

### Child lock design

- Protected opening mechanism integrated in the lid, other versions on request

### Lid relief spring

- Adjustable on site by means of a riangle key

### Finger protection strip

- Minimises risk of injury

### Edge for protection against water

- Prevents rainwater from penetrating

### Spare parts

- Identical fitting parts for steel and plastic containers optimise spare parts logistics

### Standard colours

- Grey, green, brown, blue
- Other colours on request
- Colour additions without heavy metals

### Smooth interior

- Ensures optimum emptying and easy cleaning

### Individual marking (for plastic containers)

- White OTTO logo on the body
- Hot stamping
- Serigraphy on the body and the lid
- Injection moulding of texts, coats of arms, etc.
- Inmould labeling depending on the die

### Material

- Environment-friendly
- Long service life
- Suitable for recycling, frost-resistant



**Deeper combs ensure optimum accommodation on the lifting device**

### Material high density polyethylene (HDPE)

- High resistance to UV radiation
- Resistant to chemicals

### Body - galvanised steel:

- Galvanising by the piece: hot-dip galvanising
- Thick zinc layer ensures optimum corrosion protection
- High safety in the case of fire and protection against vandalism

### Comb-type frontal receiver (plastic)

- Deeper combs ensure optimum accommodation on the lifting device and facilitate the use of side loaders
- Additional honeycomb/diamond texture for high safety and a long service life
- Eight webs in the chip nest ensure reliable chip positioning

Standard comb-type frontal receiver also for Steel Combi containers



**The lateral handle facilitates pulling, steering and lifting**

### Wheels

- Solid rubber tyres
- High stability
- Efficient corrosion protection
- Enlarged base plate for wheels
- Designs: steel or plastic rims, slide bearing or ball bearing
- Brake system as wheel braking or central braking, steering guide
- Reinforced brake-pedal for central braking
- Special design on request